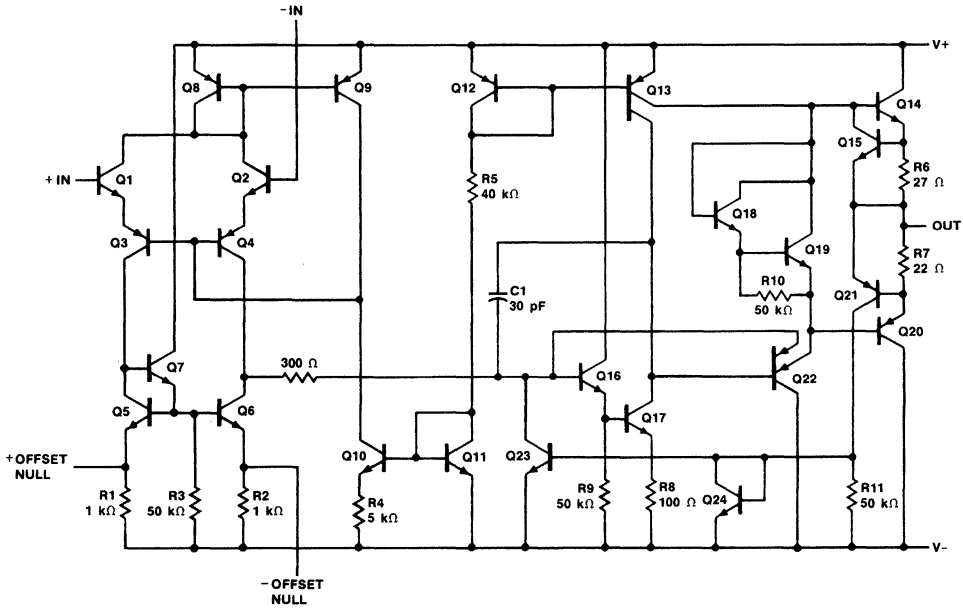


Equivalent Circuit



8D00951F