



# Operational Amplifiers

LM741/LM741C

## LM741/LM741C operational amplifiers

### general description

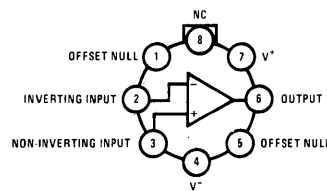
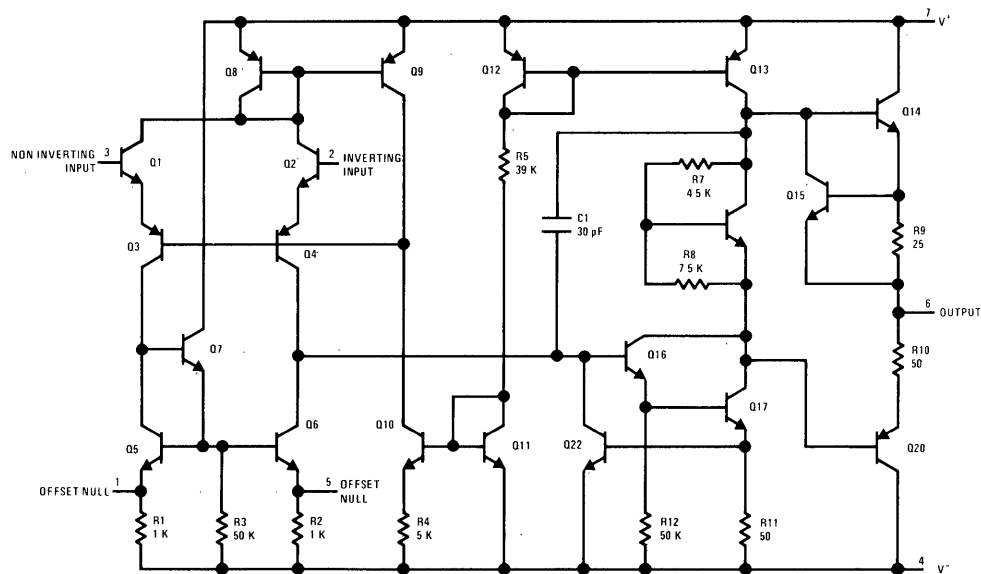
The LM741 and LM741C are general purpose operational amplifiers which feature improved performance over industry standards like the LM709. They are direct, plug-in replacements for the 709C, LM201, MC1439 and 748 in most applications.

The offset voltage and offset current are guaranteed over the entire common mode range. The amplifiers also offer many features which make

their application nearly foolproof: overload protection on the input and output, no latch-up when the common mode range is exceeded, as well as freedom from oscillations.

The LM741C is identical to the LM741 except that the LM741C has its performance guaranteed over a 0°C to 70°C temperature range, instead of -55°C to 125°C.

### schematic and connection diagrams



TOP VIEW

NOTE: Pin 4 connected to case.